

RTG1



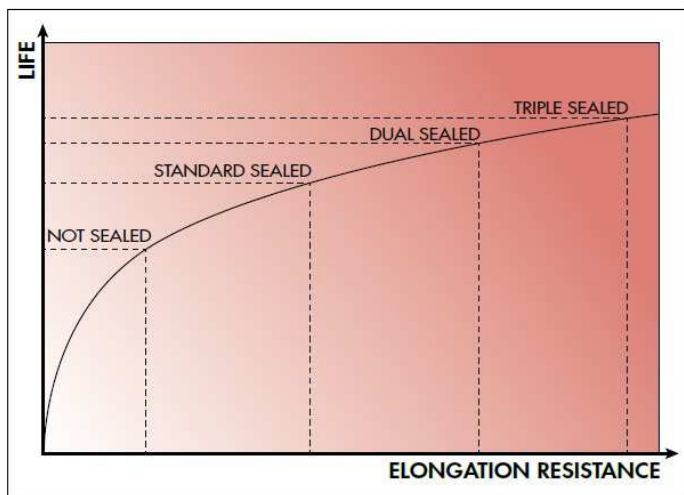
RTG1

ITALIANO

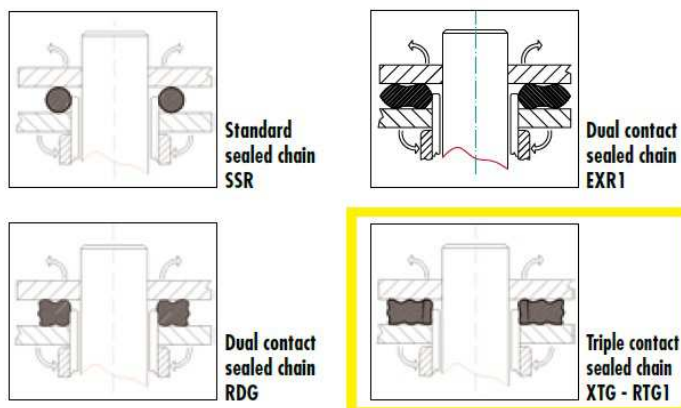
TIPOLOGIA	CATENA STRADALE RACING
NOME	RTG1
DESCRIZIONE	RTG1 (RTG1 = Road Triple Guard - o-ring a tripla tenuta)
CODICE	SS520RTG1-XXXG passo520 - SS525RTG1-XXXG passo525 SS530RTG1-XXXG passo530
CARATTERISTICHE TECNICHE E BENEFICI	Per una catena stradale racing di categoria superiore, Sunstar offre la serie RTG1 (RTG1 = Road Triple Guard - o-ring a tripla tenuta) per applicazioni stradali con passo 520, 525 e 530. E' raccomandata per condizioni estreme con alte temperature perchè la guarnizione tripla offre la migliore lubrificazione e protezione. La 520 è particolarmente adatta per qualsiasi moto di 1000cc o di minore cilindrata che utilizzi passo 520, la 530RTG1 invece è adatta per alte prestazioni e moto di cilindrata maggiori. Entrambe le versioni utilizzano chiusura da ribadire e soddisfano le esigenze più estreme che si possano incontrare in pista e su strada. La 525 è progettata per tipologie racing enduro intenso tipo Dakar, e moto sportive racing, unendo peso leggero, resistenza e durata.
O-RING	TRIPLE GUARD
ACCESSORI	Pignoni P-DRIVE, corone STEEL, TRIPLE STAR,
CONFRONTO	

Modello catena	N. Link disponibili	Tipo oring	Falsa maglia	Max CC Street / Offroad	PESO 100LINK (LBS)	PESO 100LINK (KG)	Lunghezza pin (mm)	Spessore piastra interna	Spessore piastra esterna	Tensione massima (lbs)	Tensione massima (N)
420MXR	104 - 140	None	Clip	150 / 150	1.76	0.79	15,70	1.80	1.45	4,980	22,152
428MXR	118 - 142	None	Clip	50 / 150	2.13	0.97	17,60	1.80	1.80	5,780	25,710
520MXR1	108 - 120	None	Clip	NA / 500	2.99	1.36	17,70	1.80	2.00	8,970	39,900
520EXR1	108 - 120	Dual Guard	Rivet	NA / 450	3.23	1,46	18,35	2.00	2.00	8,390	37,300
520SSR	100 - 120	O-ring	Clip	400 / 400	3.36	1.52	19,90	2.00	2.00	7,670	34,117
520RDG	106 - 120	DualGuard	Rivet	750 / 750	3.39	1,54	19,90	2.00	2.00	8,490	37,765
525RDG	100 - 124	DualGuard	Rivet	900 / 750	4.30	1.95	22,85	2.40	2.30	8,820	39,233
530RDG	102 - 122	DualGuard	Rivet	1000 / 750	4.47	2.03	24,90	2.40	2.30	9,480	42,169
520XTG	104 - 120	TripleGuard	Clip	400 / 750	3.75	1.70	20,80	2.00	2.00	8,460	37,631
520RTG1	98 - 120	TripleGuard	Rivet	1000 / 750	3.75	1.70	20,80	2.20	2.20	8,800	39,144
525RTG1	100 - 124	TripleGuard	Rivet	1000 / 750	4.30	1.95	22,85	2.40	2.30	9,300	41,368
530RTG1	106 - 120	TripleGuard	Rivet	1400 / 900	4.63	2.10	24,90	2.40	2.40	9,900	44,037

CARATTERISTICHE DELLE CATENE SUNSTAR



DIFFERENTI TIPOLOGIE DELLE GUARNIZIONI SUNSTAR



RTG1

Link	Listino catene									520RTG1	525RTG1	530RTG1
	420MXR	428MXR	520MXR1	520EXR1	520SSR	520RDG	525RDG	530RDG	520XTG			
98										125,20		
100					71,80		96,10				147,20	
102					73,10			104,30		130,20		
104	32,00				74,50				102,80			
106					75,80	86,90	101,70	108,20	104,70	135,10		175,70
108			74,70	101,40	77,20		103,50	110,20	106,60		158,80	179,00
110	33,70		76,00	103,20	78,50	90,10	105,40	112,20	108,50	140,10	161,70	182,20
112	34,20		77,40	105,00	79,90	91,70	107,20	114,10	110,40	142,50	164,60	185,50
114			78,70	106,80	81,20	93,20	109,10	116,10	112,30	145,00	167,40	188,70
116	35,30		80,00	108,60	82,60	94,80	110,90	118,10	114,20	147,50	170,30	192,00
118	35,90	47,40	81,30	110,40	83,90	96,40	112,80	120,10	116,10	150,00	173,20	195,30
120	36,40	48,10	82,70	112,30	85,30	98,00	114,60	122,00	118,00	152,40	176,10	198,50
122		48,80						124,00				201,80
124	37,50	49,60					118,30				181,90	
126	38,10	50,30										
128		51,00										
130	39,20	51,80										
132		52,50										
134		53,20										
136		54,00										
140	41,90	55,40										
142		56,20										
1 mt.	23,50	31,00	41,00	57,10	44,10	51,20	59,10	62,70	60,10	79,70	91,10	103,70
Clip link	2,00	2,40	3,30	5,40	4,50	5,10	5,10	5,30	5,40	7,30	5,60	5,80

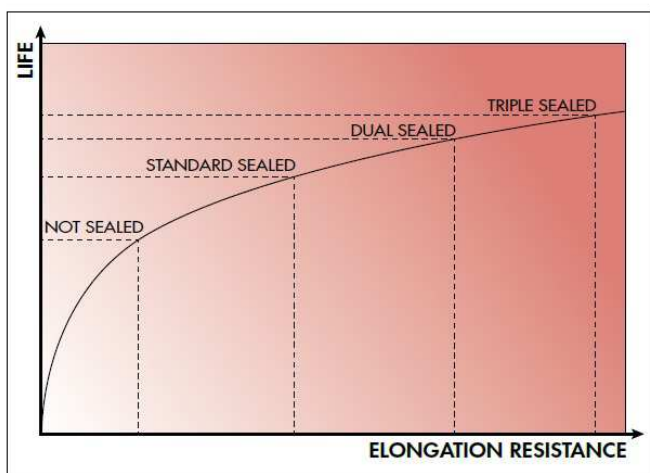
RTG1

TYPE	ONROAD RACING CHAIN
SERIES	RTG1
DESCRIPTION	RTG1 series for 520, 525 and 530 street applications (RTG1 = Road Triple Guard)
PART NUMBER	SS520RTG1-XXXG 520 pitch - SS525RTG1-XXXG-525 pitch - SS530RTG1-XXXG 530 pitch
TECHNICAL FEATURES AND BENEFITS	For a top of the line, premium level road racing chain, Sunstar offers the RTG1 street applications (RTG1=Road Triple Guard). This Works level chain features our Triple Guard sealed ring technology where there are 3 sealing lips and lubrication pools per side of the ring which is recommended for high heat, extreme conditions as the Triple Guard ring type is the best for lubrication and protection While the 520 is great for any bike 1000cc or less using a 520 pitch, the 530RTG1 is suitable for the high performance, larger cc machines like. Both options use the rivet type connecting link and are well suited to handle the demands of the toughest racing conditions encountered on the street. The 525 is designed for premium big displacement Dakar type Enduro Racing and Sportbike racing combining, Lightweight, strength and longevity.
O-RING	TRIPLE GUARD
ACCESSORIES	P-DRIVE front sprocket, STEEL, TRIPLESTAR rear sprockets
COMPARE	

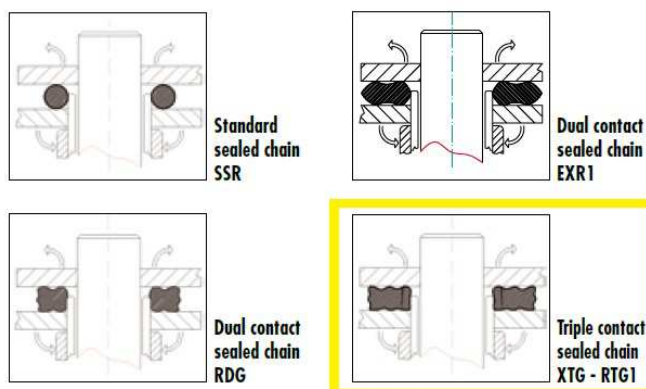
ENGLISH

Chain Model	Length Options	Ring Type	Link Type	Max CC Street / Offroad	Weight 100L (LBS)	Weight 100L (KG)	Pin Length (mm)	Inner Plate Thick-ness	Outer Plate Thick-ness	Maximum Tensile Strength (lbs)	Maximum tensile strength (N)
420MXR	104 - 140	None	Clip	150 / 150	1.76	0.79	15,70	1.80	1.45	4,980	22,152
428MXR	118 - 142	None	Clip	50 / 150	2.13	0.97	17,60	1.80	1.80	5,780	25,710
520MXR1	108 - 120	None	Clip	NA / 500	2.99	1.36	17,70	1.80	2.00	8,970	39,900
520EXR1	108 - 120	Dual Guard	Rivet	NA / 450	3.23	1,46	18,35	2.00	2.00	8,390	37,300
520SSR	100 - 120	O-ring	Clip	400 / 400	3.36	1.52	19,90	2.00	2.00	7,670	34,117
520RDG	106 - 120	DualGuard	Rivet	750 / 750	3.39	1,54	19,90	2.00	2.00	8,490	37,765
525RDG	100 - 124	DualGuard	Rivet	900 / 750	4.30	1.95	22,85	2.40	2.30	8,820	39,233
530RDG	102 - 122	DualGuard	Rivet	1000 / 750	4.47	2.03	24,90	2.40	2.30	9,480	42,169
520XTG	104 - 120	TripleGuard	Clip	400 / 750	3.75	1.70	20,80	2.00	2.00	8,460	37,631
520RTG1	98 - 120	TripleGuard	Rivet	1000 / 750	3.75	1.70	20,80	2.20	2.20	8,800	39,144
525RTG1	100 - 124	TripleGuard	Rivet	1000 / 750	4.30	1.95	22,85	2.40	2.30	9,300	41,368
530RTG1	106 - 120	TripleGuard	Rivet	1400 / 900	4.63	2.10	24,90	2.40	2.40	9,900	44,037

DISTINCTIVE FEATURES OF SUNSTAR CHAIN



DIFFERENT TYPES OF OUR SUNSTAR-SEAL LINE UP



RTG1

Link	Chains price list												
	420MXR	428MXR	520MXR1	520EXR1	520SSR	520RDG	525RDG	530RDG	520XTG	520RTG1	525RTG1	530RTG1	
98										125,20			
100					71,80		96,10				147,20		
102					73,10			104,30		130,20			
104	32,00				74,50				102,80				
106					75,80	86,90	101,70	108,20	104,70	135,10		175,70	
108			74,70	101,40	77,20		103,50	110,20	106,60		158,80	179,00	
110	33,70		76,00	103,20	78,50	90,10	105,40	112,20	108,50	140,10	161,70	182,20	
112	34,20		77,40	105,00	79,90	91,70	107,20	114,10	110,40	142,50	164,60	185,50	
114			78,70	106,80	81,20	93,20	109,10	116,10	112,30	145,00	167,40	188,70	
116	35,30		80,00	108,60	82,60	94,80	110,90	118,10	114,20	147,50	170,30	192,00	
118	35,90	47,40	81,30	110,40	83,90	96,40	112,80	120,10	116,10	150,00	173,20	195,30	
120	36,40	48,10	82,70	112,30	85,30	98,00	114,60	122,00	118,00	152,40	176,10	198,50	
122		48,80						124,00				201,80	
124	37,50	49,60					118,30				181,90		
126	38,10	50,30											
128		51,00											
130	39,20	51,80											
132		52,50											
134		53,20											
136		54,00											
140	41,90	55,40											
142		56,20											
1 mt.	23,50	31,00	41,00	57,10	44,10	51,20	59,10	62,70	60,10	79,70	91,10	103,70	
Clip link	2,00	2,40	3,30	5,40	4,50	5,10	5,10	5,30	5,40	7,30	5,60	5,80	